

# iqua



**Montageanleitung  
Installation manual  
Istruzioni di montaggio  
Notice d'installation**

**Wasserlos Urinal  
waterless urinal**



## Richtlinien zur Installation

- Installationen nur in frostsicheren Räumen
- ⚠ Der Netzanschluss ist mit geeigneten Mitteln abzusichern.

## Direttiva per l' Installazione

- Prevedere l'installazione in locali resistenti al gelo.

Ab Datum des Erwerbes (Kaufbeleg) gewähren wir eine Garantie von 2 Jahren.

We will guarantee the products for 2 years from the date of acquisition.

Garantiamo il prodotto per 2 anni dalla data di acquisto.

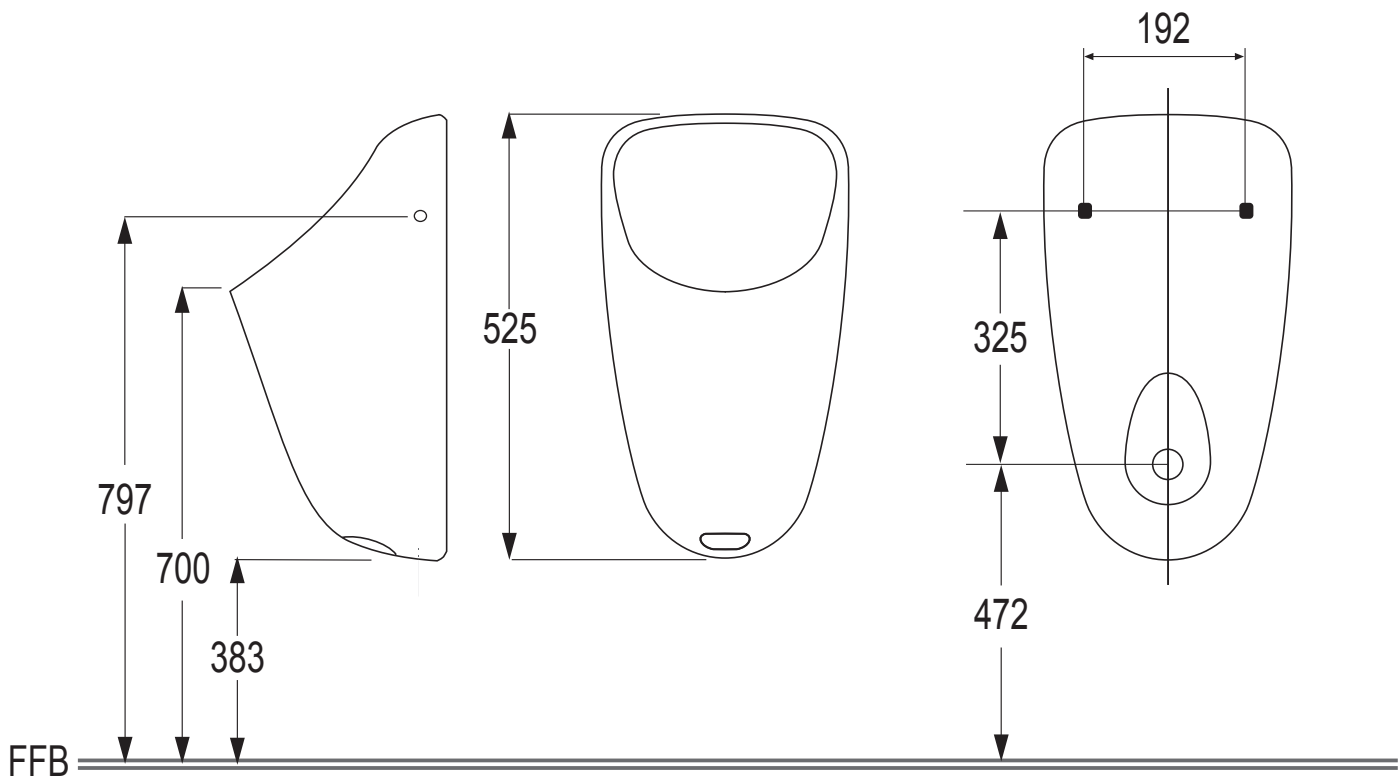
Nous accordons une garantie de 2 ans sur les produits à partir de la date d'achat (ticket de caisse).

## Installation guidelines

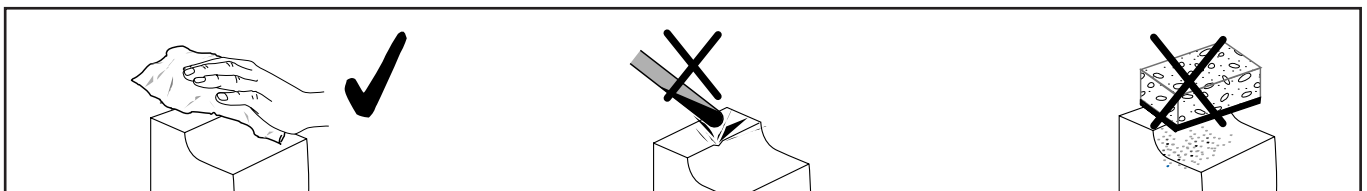
- Installation only in a frost-free area
- ⚠ The mains supply must protect by suitable fuse.

## Directives d'installation

- L'installation ne doit être effectuée que dans des locaux résistants au gel.

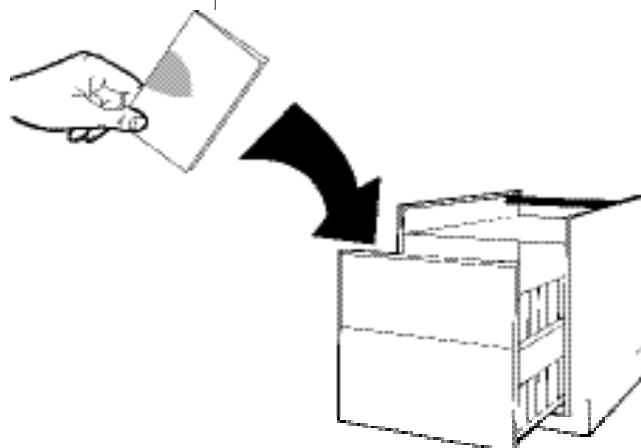


## Pflege • Maintenance • Cura • Entretien



## Hotline

|  |  |   |
|--|--|---|
| <p><b>DE</b><br/><b>Sanitär Services GmbH</b><br/>Robert Bosch Strasse 29a<br/>D-88131 Lindau<br/>t: 0180-5323698<br/>f: +41-71-7771641<br/>hotline@aquis.ch; www.aquis.ch</p>   | <p><b>CH</b><br/><b>Aquis Sanitär AG</b><br/>Balgacherstr. 17<br/>CH-9445 Rebstein<br/>t: +41-71-7759542<br/>f: +41-71-7771641<br/>hotline@aquis.ch; www.aquis.ch</p>  | <p><b>AT</b><br/><b>Aquis Sanitär AG</b><br/>Balgacherstr. 17<br/>CH-9445 Rebstein<br/>t: +43-720-511115<br/>f: +41-71-7771641<br/>hotline@aquis.ch; www.aquis.ch</p>   |
| <p><b>DK</b><br/><b>Cassoe A/S</b><br/>Sakskobingvej 10<br/>DK-7400 Herning<br/>t: +45-9712-7400<br/>f: +45-9712-2440<br/>mai@cassoe.dk; www.cassoe.dk</p>   | <p><b>NO</b><br/><b>SaniTech AS</b><br/>Liamyrane 6<br/>NO-5090 Nyborg<br/>t: +47-55-393940<br/>f: +47-55-393941<br/>postmaster@sanitech.no; www.sanitech.no</p>   | <p><b>IS</b><br/><b>TENGI ehf</b><br/>Smiojuvegur 11<br/>IS-202 Kopavogur<br/>t: +354-564-1088<br/>f: +354-564-1089<br/>thorir@tengi.is; www.tengi.is</p>   |
| <p><b>NL</b><br/><b>DoWi Handelssondernehmung BV</b><br/>Hertog van Gelresingel 16<br/>NL 5961 TB Horst<br/>t: +31-773-524385<br/>f: +31-773-524388<br/>win.douven@hetnet.nl</p>   | <p><b>FR</b><br/><b>PBL BandK</b><br/>39 Rue du Lieutenant Colonel Prevost<br/>69006 Lyon<br/>t: +33 472 839 911<br/>f: +33 478 529 008<br/>pbl149@hotmail.com; www.bandk.fr</p>   | <p><b>ES</b><br/><b>Klaus R. Bauer</b><br/>Alcalde Martínez Ecija 34<br/>08917 Badalona<br/>Tel. +34 609 791 484<br/>k.bauer@orange.es<br/>klaus@klausrbauer.com; www.klausrbauer.com</p>   |
| <p><b>HK</b><br/><b>JBM Building Products Limited</b><br/>Unit 1801, 18/F., Tower 2,<br/>Grand Century Place,<br/>193 Prince Edward Road West.<br/>Mongkok, Kowloon, Hongkong (SAR)<br/>t: +852-3180-3330<br/>f: +852-2882-5036<br/>jbm@jebesen.com; www.jebesen.com</p> | <p><b>IL</b><br/><b>Zchori and Sons's Industries Ltd.</b><br/>P.O.Box: 4561 Segola<br/>IL-49277 Petach-Tekva<br/>t: +972-3-9249696<br/>f: +972-3-9213362<br/>ofer@zchori.co.il</p>   | <p><b>SA</b><br/><b>AL Makhayl Trading Corporation</b><br/>P.O.Box 51400<br/>Riyadh 11543, Kingdom of Saudi Arabia<br/>t: +966-1-416-1066<br/>f: +966-1-416-1022<br/>sssayyari@hotmail.com</p>  |
| <p><b>IR</b><br/><b>Iran Sanitary &amp; Industry Valves Co. (ISIV Co.)</b><br/>No. 299 Mirdamad Blve.<br/>IR-19696 Tehran<br/>t: +98-21-8821-1750<br/>f: +98-21-8821-1739<br/>info@isiv.net</p>  | <p><b>KW</b><br/><b>Modern Construction Co.</b><br/>Al-Sour Str., Al-Thuwainy Bldg. 1st Floor<br/>13129 Safat<br/>t: +965 (49) 11 911 – 106<br/>f: +965 (492) 0361<br/>info@mcckt.com</p>  | <p><b>UA</b><br/><b>Bohdan Kornatskyy</b><br/>Stusa Strasse 24<br/>47726 Ternopil - Pidhorodnjne<br/>t: +380 352499008<br/>f: +380 352499008<br/>bkornatskyy@ukr.net</p>  |
| <p><b>RU</b><br/><b>Sanilux</b><br/>Ul. Okskaja d.5, korp.1<br/>109129 Moscow<br/>t: +7 495 5072872<br/>f: +7 495 3826681<br/>ru@kaldewei.ru</p>   | <p><b>SY</b><br/><b>Luxury</b><br/>Damascus – Syria<br/>Abu Rommaneh<br/>P.O. Box 30261<br/>t: +963113346600<br/>f: +963113346601<br/>luxury.baalbaki@gmail.com</p>  | <p><b>IN (New Delh 90)</b><br/><b>New Manglapuri</b><br/>Mehrauli Gurgaon Road<br/>New-Delhi 110030, India.<br/>Mr. Suheel Nabi<br/>Business Development Manager<br/>f: +91 11 26302678/79<br/>m: +91 9873080465<br/>snabi@shroffinc.org,</p> |
| <p><b>IN (Mumbai)</b><br/><b>G-28B T.V Industrial Estate,</b><br/>A.K Ahire Marg, Worli,<br/>Mumbai 400025, India.<br/>Mr. Dheeraj Khandelwal,<br/>Business Development Manager,<br/>f: +91 2224904730<br/>m: +91 9987064993<br/>dkhandelwal@shroffinc.org</p>           | <p><b>IN (Sampurna)</b><br/><b>Marketing Private Limited</b><br/>Corporate Office:<br/>2nd Flor, No.10, 1st Main Road, Vyalikaval,<br/>Bangalore – 560003, India.<br/>f: +91 80 40733000.<br/>toughcoat@airtelmail.in<br/>Mr. Mrinal Kumar, Business Development<br/>Manager, mkumar@shroffinc.org,<br/>f: +91 80 40733000<br/>m: +91 9902764566</p> |   |



Aquis Sanitär AG  
CH-9445 Rebstein  
www.aquis.ch